

Linear

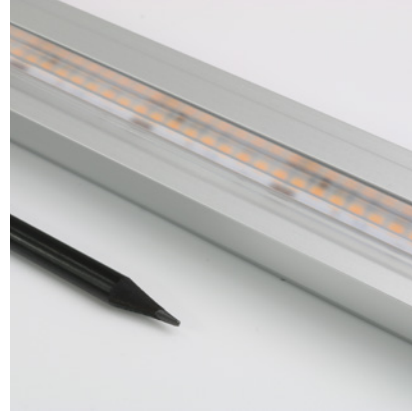
TIA 26R Asymmetric A030 (30W) Fixture Guide

KKDÖ

Indoor | Surface | Output up to 2820lm/m (859lm/ft)



94.2lm/w

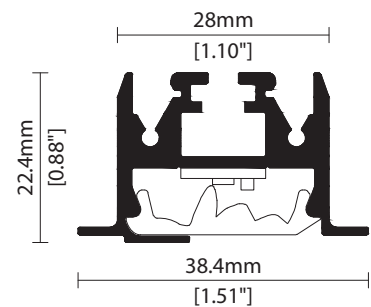


Key applications

- ✓ Ceiling
- ✓ Direct lighting
- ✓ Downlighting
- ✓ Interior
- ✓ Picture display
- ✓ Retail display
- ✓ Wall grazing
- ✓ Wallwashing

Key features

- ✓ A-line (High Efficacy)
- ✓ Asymmetric lens
- ✓ Custom lengths
- ✓ Constant Voltage (CV)
- ✓ Diffusion: homogenous
- ✓ Direct view
- ✓ High lumen efficacy
- ✓ IP40 dry area
- ✓ Lens options



MOUNTING METHODS



KKS01 Spring bracket

Linear

TIA 26R Asymmetric A030 (30W)

Specification sheet



Dimensions	H22.4/W38.4/L103-1026mm (H0.88/W0.151/L4.05-40.39in)
PCB Cut-point	38.46mm increment/1000mm max (1.51in increment/39.37in max)
LED Pitch	4.8mm - 208LED/m (0.19in - 64LED/ft)
Chip	A-line
Cover/Optics	KKLN-A1 Asymmetric lens
CCT	A-line: 2700K/3000K/4000K
LED binning	A-line: 3-step MacAdam ellipse
CRI	93
Lifetime	50,000 hours @ 25°C (50,000 hours @ 77°F)
Operating temp	T _a = -25 to 50°C (T _C max = 76.1°C) T _a = -13 to 104°F (T _C max = 169°F)
IP Rating	IP40
Finish	Silver anodised
Mounting	Recessed mounting via spring clips
Power feed	Hardwire tails or male/female connectors
Control	0-10V/1-10V/DMX/DALI



LED Grading Key

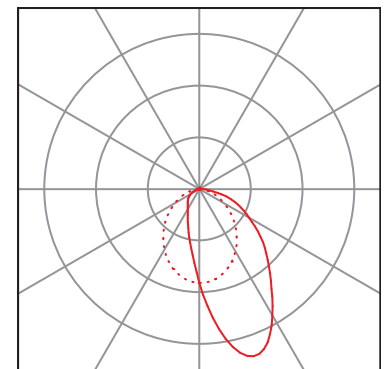
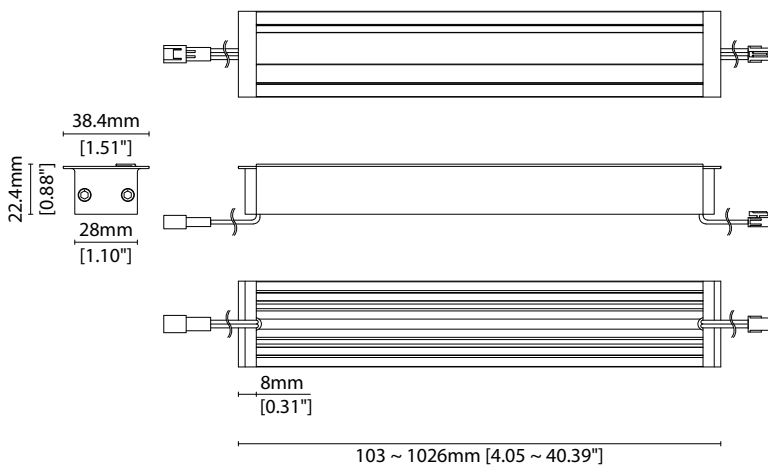
Exclusive Grade	*KKDC tuned CCT range
A-line*	3-step CCT range
KKDC highest lumen efficacy LED	

Power consumption	Supply voltage	Supply current
30W/m (9.14W/ft)	24V DC	1.25A/m (0.381A/ft)

Performance Data (3000K)

	R1	R2	R3	R4	R5	R6	R7	R8	R9	R10	R11	R12	R13	R14
A-line	93	95	95	93	92	93	94	86	66	88	93	76	94	97

KKLN-A1				CRI	R9	Rf	Rg
A-line	2820lm/m (859lm/ft)	94.2lm/w		93	66	-	-



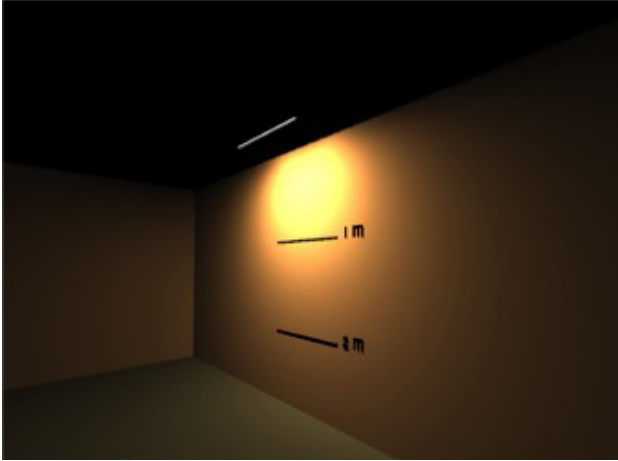
Data derived from independent UKAS/IESNA LM-79-08 accredited testing of production samples.

Linear

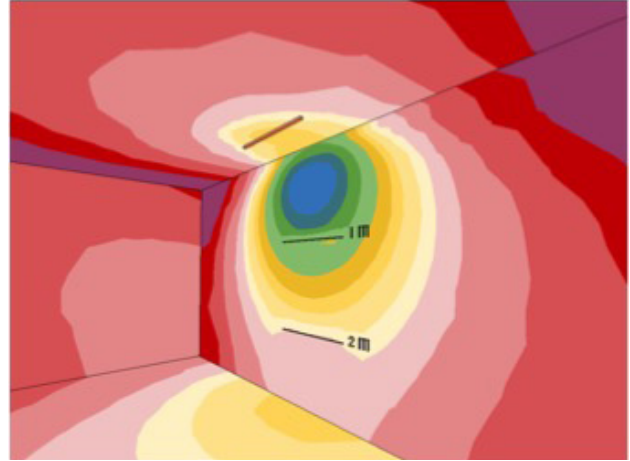
TIA 26R Asymmetric A030 (30W)

Specification sheet

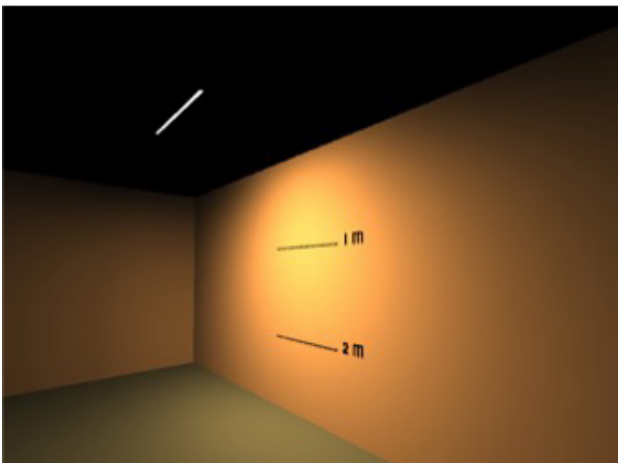
KKDÖ



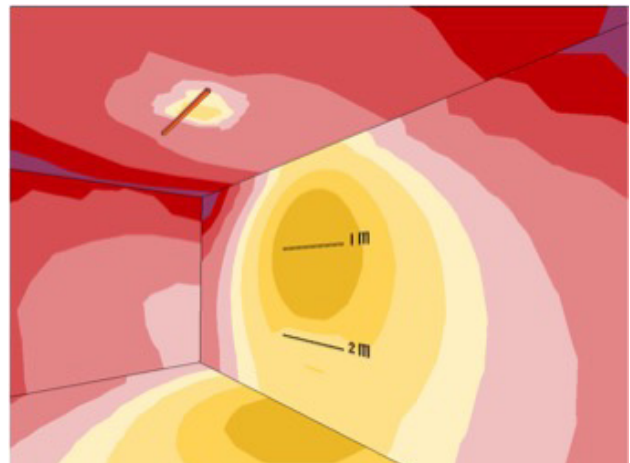
0.5M between light and wall



0.5M between light and wall (Pseudo color)



1M between light and wall



1M between light and wall (Pseudo color)

Distance between wall and light	Light reaching height (based on wall)
0.5M	1M
1.1M	1.5M
1.3M	2M

TIA 26R Asymmetric A030 (30W) Code Table



FIXTURE

Model	Finish	Cover/Lens	Grade ¹	LED	Colour (CCT)	Length Availability ²	IP	Cable Length	Power Feed	Input				
TIA 26R Asymmetric	TYR	Silver Anodised SA	KKLN-A1 (Asymmetric lens)	A1	A-	A	A030	030	2700K 27 3000K 30 4000K 40	m L103-1026mm 38.46mm increments i L4.05-40.39in 1.51in increments (Specify length code OR total run length)	IP40 40	300mm 0300 (11.81in)	Single no sheath tail S00X Double no sheath tail D00X Single no sheath IP20 connector S20X Double no sheath IP20 connector D20X	DC 24V g

¹ Refer to **LED Grading Key** on **Specification sheet** page

² Refer to **Length Availability List** or enter total run length instead of length code

Code Example:

TYR	-	SA	-	A1	-	A-	-	030	-	30	-	m	526	-	40	-	0300	-	S00X	-	g
TIA 26R Asymmetric		Silver Anodised		KKLN-A1		A-		A030		3000K		526mm		IP40		300mm (11.81in)		Single no sheath tail		DC 24V	

ACCESSORIES

Mounting Accessories

KKSB-01 Spring bracket (allow 2 per metre/40")

* Refer to **Mounting accessories** on **Accessories** pages

Connection Accessories

KKCN-01 2 PIN male & female 50mm/1.97" pair

KKCN-03 2 PIN male & female 300mm/11.81" pair

KKCN-06 2 PIN 300mm/11.81" extension lead

* Refer to **Power feed** on **Accessories** pages

PSU/Driver

0-10V/1-10V/DALI/DMX

* Refer to **Driver/PSU Options** page for details or provide requirement and KKDC to offer the suitable option

TIA 26R Asymmetric A030 (30W) Length Availability List

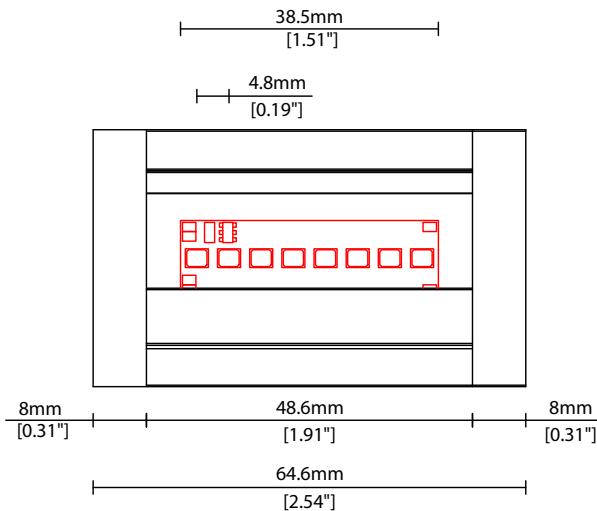


Length Code		Fixture Length ¹		LED Strip ²		End Cap Dimension		Wattage (W)	Output (lm)
Metric	Imperial(US)	Metric	Imperial(US)	Metric	Imperial(US)	Metric	Imperial(US)		3000K (Test Data)
m0103	i0004	103mm	4.05in	77mm	3.03in	16mm	0.63in	2.31	212
m0141	i0006	141mm	5.57in	115mm	4.54in	16mm	0.63in	3.46	318
m0180	i0007	180mm	7.08in	154mm	6.06in	16mm	0.63in	4.62	425
m0218	i0009	218mm	8.59in	192mm	7.57in	16mm	0.63in	5.77	531
m0257	i0010	257mm	10.11in	231mm	9.09in	16mm	0.63in	6.92	637
m0295	i0012	295mm	11.62in	269mm	10.60in	16mm	0.63in	8.08	743
m0334	i0013	334mm	13.14in	308mm	12.11in	16mm	0.63in	9.23	849
m0372	i0015	372mm	14.65in	346mm	13.63in	16mm	0.63in	10.38	955
m0411	i0016	411mm	16.17in	385mm	15.14in	16mm	0.63in	11.54	1062
m0449	i0018	449mm	17.68in	423mm	16.66in	16mm	0.63in	12.69	1168
m0488	i0019	488mm	19.19in	462mm	18.17in	16mm	0.63in	13.85	1274
m0526	i0021	526mm	20.71in	500mm	19.69in	16mm	0.63in	15.00	1380
m0564	i0022	564mm	22.22in	538mm	21.20in	16mm	0.63in	16.15	1486
m0603	i0024	603mm	23.74in	577mm	22.71in	16mm	0.63in	17.31	1592
m0641	i0025	641mm	25.25in	615mm	24.23in	16mm	0.63in	18.46	1698
m0680	i0027	680mm	26.77in	654mm	25.74in	16mm	0.63in	19.62	1805
m0718	i0028	718mm	28.28in	692mm	27.26in	16mm	0.63in	20.77	1911
m0757	i0030	757mm	29.79in	731mm	28.77in	16mm	0.63in	21.92	2017
m0795	i0031	795mm	31.31in	769mm	30.28in	16mm	0.63in	23.08	2123
m0834	i0033	834mm	32.82in	808mm	31.80in	16mm	0.63in	24.23	2229
m0872	i0034	872mm	34.34in	846mm	33.31in	16mm	0.63in	25.38	2335
m0911	i0036	911mm	35.85in	885mm	34.83in	16mm	0.63in	26.54	2442
m0949	i0037	949mm	37.37in	923mm	36.34in	16mm	0.63in	27.69	2548
m0988	i0039	988mm	38.88in	962mm	37.86in	16mm	0.63in	28.85	2654
m1026	i0040	1026mm	40.39in	1000mm	39.37in	16mm	0.63in	30.00	2760

¹ Actual total overall length of light fixture (LED strip + end caps + void/wire hole)

² Actual length of PCB strip

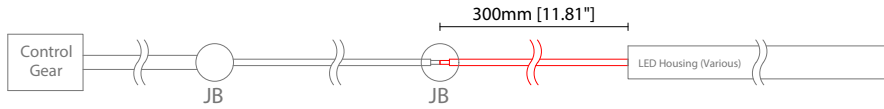
³ Actual length of 2x end caps



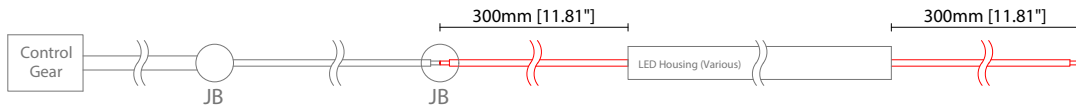
POWER FEED OPTIONS

* Options are an integral part of the fixture ordering codes. Please refer to **Code Table** pages.

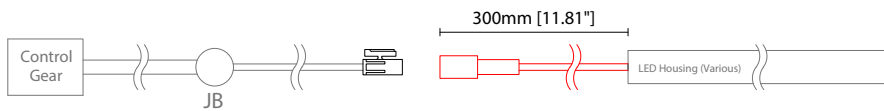
0300 S00X 300mm (11.81") Single no sheath tail



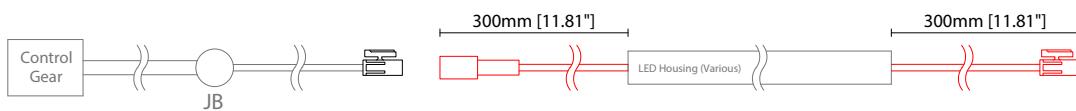
0300 D00X 300mm (11.81") Double no sheath tail



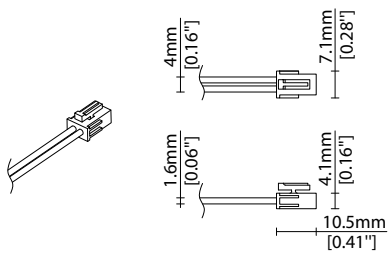
0300 S20X 300mm (11.81") Single no sheath IP20 connector



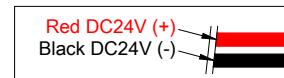
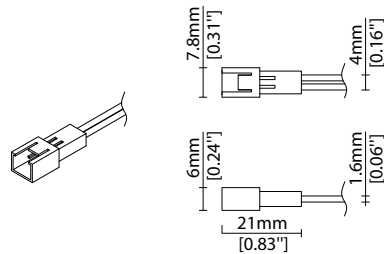
0300 D20X 300mm (11.81") Double no sheath IP20 connector



2 Pin Female Connector



2 Pin Male Connector



Key

Control Gear Power supply, sub-controllers & control systems
 JB Junction box / cable connection

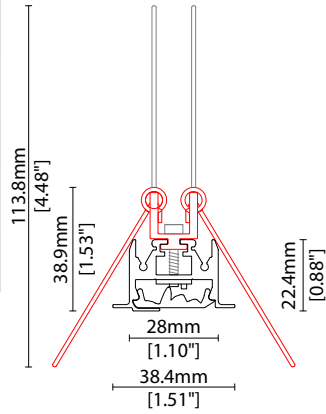
MOUNTING ACCESSORIES

Note: Accessories are to be ordered separately with corresponding code shown below.

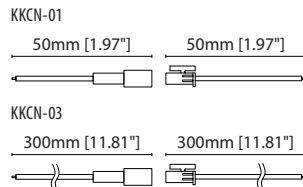
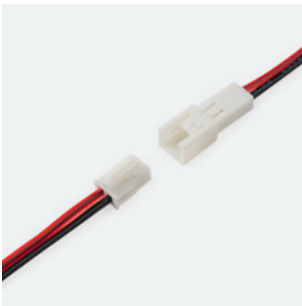


KKSb-01

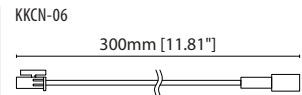
Spring bracket
(allow 3 per metre/40in)



POWER FEED



KKCN-01 50mm (1.97in) pair
KKCN-03 300mm (11.81in) pair
2 PIN male + female connector set



KKCN-06
2 PIN 300mm (11.81in) extension
lead

Linear

TIA 26R Asymmetric A030 (30W) Accessories

KKDC

KKDC CONTROL



IP20
Plastic housing
L170/W59/H29mm
(L6.69/W2.32/H1.14in)

KKDM-06 1-10V

visDIM dimmable sub-controller
(4 x 8A max @ 12-36V)



IP20
Plastic housing
L170/W53.4/H28mm
(L6.69/W2.10/H1.10in)

KKSC-05 DMX

visDIM dimmable sub-controller
(4 x 5A max @ 12-36V)



IP20
Plastic housing
L170/W59/H29mm
(L6.69/W2.32/H1.14in)

KKDL-02 DALI

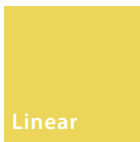
visDIM dimmable sub-controller
(4 x 8A max @ 12-36V)



IP20
Plastic housing
L166/W53.4/H23mm
(L6.54/W2.10/H0.91in)

KKDL-03 DALI

visDIM dimmable sub-controller
(4 x 5A max @ 12-36V)



TIA Driver/PSU Options



AVAILABLE PSU OPTIONS

Control Mode	PSU (Order Code)	Input Voltage AC	Output Voltage DC	Rated Output Current	Rated Power	Dim %	IP Rating
Switched	CEN-60-24	90-295V	24V	2.5A	60W	-	IP67
	HLG-60H-24	90-305V	24V	2.5A	60W	-	IP67
	HLG-100H-24	90-305V	24V	4.0A	100W	-	IP67
	HLG-150H-24	90-305V	24V	6.3A	150W	-	IP67
	HLG-240H-24	90-305V	24V	10A	240W	-	IP67
0-10V (1-10V)	PWM-40-24	90-305V	24V	1.67A	40W	100-0.15 (100-10)	IP67
	PWM-60-24	90-305V	24V	2.5A	60W	100-0.15 (100-10)	IP67
	PWM-90-24	90-305V	24V	3.67A	90W	100-0.15 (100-10)	IP67
	PWM-120-24	90-305V	24V	5.0A	120W	100-0.15 (100-10)	IP67
DALI	LIN100A1	120-277V	24V	1A per channel	100W	100-0.1	IP66/IP40
DMX RGB	LIN100A1	120-277V	24V	1.33A per channel	100W	100-0.1	IP66/IP40
DMX RGBW	LIN100A1	120-277A	24V	1A per channel	100W	100-0.1	IP66/IP40

Flicker Free Options - Combination of PSU+ sub-controller

Control Mode	PSU (Order Code)	Sub-controller (Order Code)	Input Voltage AC	Output Voltage DC	Rated Output Current	Rated Power	Dim %	IP Rating PSU/ Sub-controller
0-10V or 1-10V	CEN-60-24	KKDM-06	90-295V	24V	2.5A	60W	100-0.9	IP67/IP20
	HLG-60H-24	KKDM-06	90-295V	24V	2.5A	60W	100-0.9	IP67/IP20
	HLG-100H-24	KKDM-06	90-295V	24V	4.0A	100W	100-0.9	IP67/IP20
	HLG-150H-24	KKDM-06	90-295V	24V	6.3A	150W	100-0.9	IP67/IP20
	HLG-240H-24	KKDM-06	90-295V	24V	10.0A	240W	100-0.9	IP67/IP20
DALI	CEN-60-24	KKDL-02/03	90-295V	24V	2.5A	60W	100-0.1	IP67/IP20
	HLG-60H-24	KKDL-02/03	90-305V	24V	2.5A	60W	100-0.1	IP67/IP20
	HLG-100H-24	KKDL-02/03	90-305V	24V	4.0A	100W	100-0.1	IP67/IP20
	HLG-150H-24	KKDL-02/03	90-305V	24V	6.3A	150W	100-0.1	IP67/IP20
	HLG-240H-24	KKDL-02/03	90-305V	24V	10.0A	240W	100-0.1	IP67/IP20
DMX RGB	CEN-60-24	KKSC-05	90-295V	24V	2.5A	60W	100-0.9	IP67/IP20
	HLG-60H-24	KKSC-05	90-305V	24V	2.5A	60W	100-0.9	IP67/IP20
	HLG-100H-24	KKSC-05	90-305V	24V	4A	100W	100-0.9	IP67/IP20
	HLG-150H-24	KKSC-05	90-305V	24V	6.3A	150W	100-0.9	IP67/IP20
	HLG-240H-24	KKSC-05	90-305V	24V	10.0A	240W	100-0.9	IP67/IP20

¹ The items shown above cover the most frequently used specification but does not exhaust the possible options

² PSU and/or driver can be chosen from the table, or KKDC may recommend the best option upon receipt of the controls requirement and installation environment

³ Electrical shop drawing will include detailed information of PSU and relevant control drivers

⁴ Cut sheets are available on the controls section of www.kkdc.lighting or upon request